



Canon Type 1 lens chart

For Canon with 1:1 & 1:3 sensors

Camera lens	18407 9.25" dome		18405 8" dome Port		18409 6" dome port		Zoom (Z) or Focus (F) GEAR
	EXTENSION		EXTENSION	Dome Shade	EXTENSION	Dome Shade	
Canon EF 14mm f/2.8	18462		18462	18480	NR		(F)18713
Canon EF 15mm f/2.8 Fisheye	Not Needed		Not Needed	18480	Not Needed	18484	(F)18702
Canon EF 20mm f/2.8	18456		18456	18482	18456	18484	(F)18714
Canon EF 16-35mm f/2.8 Type I & II	18457		18457	18482	NR		(Z)18708
Canon EF 17-40mm F/4	18457		18457	18482	NR		(Z) 18709
Sigma 14mm F2.8 EX ASPHERICAL HSM	18462		18462	18480	NR		(F)18697
Sigma 15mm F2.8 FISHEYE	Not Needed		Not Needed	18480	Not Needed	18484	(F)18715
Sigma 15-30mm F3.5-4.5 EX DG	18457		18457	18482	NR		(Z)18698
NR = This lens not recommended for use with this port							
(*1) +3 diopter needed for 8" dome port & a +4 diopter needed for 6" dome port							
(*2) Older pre 2008 port may not fit due to the oversized nature of this lens.							
Macro lenses	Port 18428 Auto Focus only		Port 18426 Auto & manual focus		For use with port 18426 only		
Canon EF 50mm F2.8	18453		18453		(F)18705		
Canon EF 100mm f/2.8	18453		18453		(F)18700		
Sigma 50mm F2.8 EX MACRO	Not needed		Not needed		(F)18701		



Canon Type 2 lens chart

For Canon with 1:6 sensor

Camera lens	18407 9.25" dome	18405 8" dome Port	Dome Shade	18409 6" dome port	Zoom (Z) or Focus (F) GEAR	
	EXTENSION	EXTENSION		EXTENSION		Dome Shade
Canon EF 14mm f/2.8	18462	18462	18480	NR	(F)18713	
Canon EF 15mm f/2.8 Fisheye	Not Needed	Not Needed	18480	Not Needed	18484	(F)18702
Canon EF 20mm f/2.8	18456	18456	18482	18456	18484	(F)18714
Canon EF-S 10-22mm f/3.5-4.5	18453	18453	18482	14862	18484	(F)18706
Canon EF 16-35mm f/2.8 Type I & II	18457	18457	18482	NR		(Z)18708
Canon EF 17-40mm F/4	18457	18457	18482	NR		(Z) 18709
Canon EF-S 17-85mm f/4-5.6 IS	18453	18453	18482	NR		(Z) 18707
Canon EF-S 18-55 f/3.5-5.6	18456	18463	18482	18463	18484	(Z)18703
Sigma 10-20mm F4-5.6 EX DC HSM	18453	18456	18480	18453	18484	(Z)18698
Sigma 14mm F2.8 EX ASPHERICAL HSM	18462	18462	18480	NR		(F)18697
Sigma 15mm F2.8 FISHEYE	Not Needed	Not Needed	18480	Not Needed	18484	(F)18715
Sigma 15-30mm F3.5-4.5 EX DG	18457	18457	18482	NR		(Z)18698
Sigma 17-70mm F2.8-4.5 DC MACRO	18462	18462	18482	18457	18484	(Z)18716
Tokina AT-X 10-17mm F3.5-4.5 AF DX fisheye	18456	18456	18480	18463	18484	(Z)18717
Tokina AT-X 12-24mm F4 AF PRO DX	18453	18453	18480	NR		(Z)18722
NR = This lens not recommended for use with this port						
(*1) +3 diopter needed for 8" dome port & a +4 diopter needed for 6" dome port						
(*2) Older pre 2008 port may not fit due to the oversized nature of this lens.						
Macro lenses	Port 18428 Auto Focus only		Port 18426 Auto & manual focus		For use with port 18426 only	
Canon EF 50mm F2.8	18453		18453		(F)18705	
Canon EF-S 60mm F2.8	Not needed		Not needed		(F)18710	
Canon EF 100mm f/2.8	18453		18453		(F)18700	
Sigma 50mm F2.8 EX MACRO	Not needed		Not needed		(F)18701	

Camera Lens	18407 9.25" dome EXTENSION	18405 8" dome Port EXTENSION	Dome Shade	18409 6" dome port EXTENSION	Dome Shade	Zoom (Z) or Focus (F) GEAR
Nikon AF 10.5mm f/2.8 G ED DX	Not required	Not required	18480	Not required	18484	(F)18699
Nikon AF 14mm f/2.8D ED	18462	18456	18480	NR		(F)18693
Nikon AF 16mm f/2.8 D	Not needed	Not needed	18480	Not needed	18484	(F)18689
Nikon AF 18mm f/2.8	18456	18456	18480	NR		(F)18680
Nikon AF 20mm f/2.8	Not needed	Not needed	18480	Not needed	18484	(F)18674
Nikon AF 24mm f/2.8 D	Not needed	Not needed	18480	Not needed	18484	(F)18686
Nikon AF 28mm f/2.8 D	Not needed	Not needed	18480	Not needed	18484	(F)18686
Nikon AF-S 12-24mm f/4G IF-ED DX	18453	18456	18480	NR		(F)18695/(Z)18696
Nikon AF-S 14-24mm f/2.8G ED NIKKOR (*2)	18458	18458	18480	NR		(Z) 18722
Nikon AF-S 16-85mm f/3.5-5.6 G ED VR DX (*1)	18462	18462	18480	18457	18484	(Z) 18696
Nikon AF-S 17-35mm f/2.8D IF-ED	18457	18457	18480	NR		(Z)18690
Nikon AF-S 17-55MM f/2.8 ED-IF	18457	18457	18480	NR		(Z)18711
Nikon AF 18-35mm f/3.5-4.5 D IF ED	18453	18453	18480	18453	18484	(Z)18694
Nikon AF 18-55mm f/3.5-5.6G ED <u>VR</u>	18463	18463	18480	18463	18484	(Z) 18721
Nikon AF 18-55mm f/3.5-5.6G ED II	18463	18463	18480	18463	18484	(Z) 18718
Nikon AF 18-70mm f/3.5-4.5 G ED (*1)	18453	18453	18480	18462	18484	(Z)18696
Nikon AF 20-35mm f/2.8 D (*1)	18453	18453	18480	18453	18484	(Z)18675
Nikon AF 28-70mm f/3.5-4.5 D (*1)	18453	18453	18480	18462	18484	(Z)18673
Nikon AF 28-85mm f/3.5-4.5 (*1)	18462	18462	18480	18462	18484	(Z)18675
Nikon AF 24-50mm f/3.3-4.5 D (*1)	18453	18453	18480	18453	18484	(Z)18673
Nikon AF-S 24-70mm f/2.8 G	18454	18454	18480	NR		(Z) 18722
Sigma 10-20mm F4-5.6 EX DC HSM	18453	18456	18480	18453	18484	(Z)18698
Sigma 14mm F2.8 EX ASPHERICAL HSM	18462	18462	18480	NR		(F)18697
Sigma 15mm F2.8 FISHEYE	Not needed	Not needed	18480	Not needed	18484	(F)18715
Sigma 15-30mm F3.5-4.5 EX DG	18457	18457	18480	NR		(Z)18698
Sigma 17-70mm F2.8-4.5 DC MACRO <u>HSM</u>	18462	18462	18480	18457	18484	(Z)18719
Sigma 17-70mm F2.8-4.5 DC MACRO	18462	18462	18480	18457	18484	(Z)18716
Tokina AT-X 10-17mm F3.5-4.5 AF DX fisheye	18456	18456	18480	18456	18484	(Z)18717
Tokina AT-X 12-24mm F4 AF PRO DX	18453	18453	18480	NR		(Z)18722
NR = This lens not recommended for use with this port						
(*1) +3 diopter needed for 8" dome port & a +4 diopter needed for 6" dome port, (*2) Older pre 2008 port may not fit due to the oversized nature of this lens.						
Macro lenses	Port 18428 Auto Focus only		Port 18426 Auto & manual focus		For use with port 18426 only	
Nikon AF Micro 60mm F2.8 (*3)	Not needed		Not needed		(F)18670/(*3)18682	
Nikon AF-S Micro 60mm f/2.8G ED NEW	Not needed		Not needed		(F) 18722	
Nikon AF Micro 105mm F2.8 (*4)	18453		18453		(F)18679/(*4)18683	
Nikon AF-S Micro 105MM f/2.8 G ED-IF VR, NEW	18453		18453		(F)18712.1	
Nikon AF Micro 200mm F/4 D	18454		18454		(F)18656	
Nikon AF Micro 70-180 mm f/4.5-5.6D ED	18454		18454		(F)18691/(Z)18692	
Sigma 50mm F2.8 EX MACRO	Not needed		Not needed		(F)18701	
(*3) Auto/manual focus selector available 18682, (*4) Auto/manual focus selector available 18683						

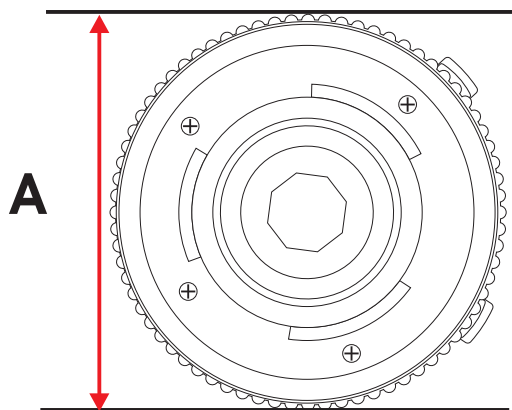
Camera Lens	18407 9.25" dome EXTENSION	18405 8" dome Port EXTENSION	Dome Shade	18409 6" dome port EXTENSION	Dome Shade	Zoom (Z) or Focus (F) GEAR
Nikon AF 10.5mm f/2.8 G ED DX	Not required	Not required	18480	Not required	18484	(F)18699
Nikon AF 14mm f/2.8D ED	18462	18456	18480	NR		(F)18693
Nikon AF 16mm f/2.8 D	Not needed	Not needed	18480	Not needed	18484	(F)18689
Nikon AF 18mm f/2.8	18456	18456	18480	NR		(F)18680
Nikon AF 20mm f/2.8	Not needed	Not needed	18480	Not needed	18484	(F)18674
Nikon AF 24mm f/2.8 D	Not needed	Not needed	18480	Not needed	18484	(F)18686
Nikon AF 28mm f/2.8 D	Not needed	Not needed	18480	Not needed	18484	(F)18686
Nikon AF-S 12-24mm f/4G IF-ED DX	18453	18463	18480	NR		(F)18695/(Z)18696
Nikon AF-S 14-24mm f/2.8G ED NIKKOR (*2)	18458	18458	18480	NR		(Z) 18722
Nikon AF-S 16-85mm f/3.5-5.6 G ED VR DX (*1)	18462	18462	18480	18457	18484	(Z) 18696
Nikon AF-S 17-35mm f/2.8D IF-ED	18457	18457	18480	NR		(Z)18690
Nikon AF-S 17-55MM f/2.8 ED-IF	18457	18457	18480	NR		(Z)18711
Nikon AF 18-35mm f/3.5-4.5 D IF ED	18453	18453	18480	18453	18484	(Z)18694
Nikon AF 18-55mm f/3.5-5.6G ED <u>VR</u>	18463	18463	18480	18463	18484	(Z) 18721
Nikon AF 18-55mm f/3.5-5.6G ED II	18463	18463	18480	18463	18484	(Z) 18718
Nikon AF 18-70mm f/3.5-4.5 G ED (*1)	18453	18453	18480	18462	18484	(Z)18696
Nikon AF 20-35mm f/2.8 D (*1)	18453	18453	18480	18453	18484	(Z)18675
Nikon AF 28-70mm f/3.5-4.5 D (*1)	18453	18453	18480	18462	18484	(Z)18673
Nikon AF 28-85mm f/3.5-4.5 (*1)	18462	18462	18480	18462	18484	(Z)18675
Nikon AF 24-50mm f/3.3-4.5 D (*1)	18453	18453	18480	18453	18484	(Z)18673
Nikon AF-S 24-70mm f/2.8 G	18454	18454	18480	NR		(Z) 18722
Sigma 10-20mm F4-5.6 EX DC HSM	18453	18456	18480	18453	18484	(Z)18698
Sigma 14mm F2.8 EX ASPHERICAL HSM	18462	18462	18480	NR		(F)18697
Sigma 15mm F2.8 FISHEYE	Not needed	Not needed	18480	Not needed	18484	(F)18715
Sigma 15-30mm F3.5-4.5 EX DG	18457	18457	18480	NR		(Z)18698
Sigma 17-70mm F2.8-4.5 DC MACRO <u>HSM</u>	18462	18462	18480	18457	18484	(Z)18719
Sigma 17-70mm F2.8-4.5 DC MACRO	18462	18462	18480	18457	18484	(Z)18716
Tokina AT-X 10-17mm F3.5-4.5 AF DX fisheye	18456	18456	18480	18456	18484	(Z)18717
Tokina AT-X 12-24mm F4 AF PRO DX	18453	18453	18480	NR		(Z)18722
NR = This lens not recommended for use with this port						
(*1) +3 diopter needed for 8" dome port & a +4 diopter needed for 6" dome port, (*2) Older pre 2008 port may not fit due to the oversized nature of this lens.						
Macro lenses	Port 18428 Auto Focus only		Port 18426 Auto & manual focus		For use with port 18426 only	
Nikon AF Micro 60mm F2.8 (*3)	Not needed		Not needed		(F)18670/(*3)18682	
Nikon AF-S Micro 60mm f/2.8G ED NEW	Not needed		Not needed		(F) 18722	
Nikon AF Micro 105mm F2.8 (*4)	18462		18462		(F)18679/(*4)18683	
Nikon AF-S Micro 105MM f/2.8 G ED-IF VR, NEW	18453		18453		(F)18712.1	
Nikon AF Micro 200mm F/4 D	18454		18454		(F)18656	
Nikon AF Micro 70-180 mm f/4.5-5.6D ED	18454		18454		(F)18691/(Z)18692	
Sigma 50mm F2.8 EX MACRO	Not needed		Not needed		(F)18701	
(*3) Auto/manual focus selector available 18682, (*4) Auto/manual focus selector available 18683						

Camera Lens	18407 9.25" dome EXTENSION	18405 8" dome Port EXTENSION	Dome Shade	18409 6" dome port EXTENSION	Dome Shade	Zoom (Z) or Focus (F) GEAR
Nikon AF 14mm f/2.8D ED	18462	18456	18480	NR		(F)18693
Nikon AF 16mm f/2.8 D	Not needed	Not needed	18480	Not needed	18484	(F)18689
Nikon AF 18mm f/2.8	18456	18456	18480	NR		(F)18680
Nikon AF 20mm f/2.8	Not needed	Not needed	18480	Not needed	18484	(F)18674
Nikon AF 24mm f/2.8 D	Not needed	Not needed	18480	Not needed	18484	(F)18686
Nikon AF 28mm f/2.8 D	Not needed	Not needed	18480	Not needed	18484	(F)18686
Nikon AF-S 14-24mm f/2.8G ED NIKKOR (*2)	18458	18458	18480	NR		(Z) 18722
Nikon AF-S 17-35mm f/2.8D IF-ED	18457	18457	18480	NR		(Z)18690
Nikon AF 18-35mm f/3.5-4.5 D IF ED	18453	18453	18480	18453	18484	(Z)18694
Nikon AF 18-55mm f/3.5-5.6G ED VR	18463	18463	18480	18463	18484	(Z) 18721
Nikon AF 20-35mm f/2.8 D (*1)	18453	18453	18480	18453	18484	(Z)18675
Nikon AF 28-70mm f/3.5-4.5 D (*1)	18453	18453	18480	18462	18484	(Z)18673
Nikon AF 28-85mm f/3.5-4.5 (*1)	18462	18462	18480	18462	18484	(Z)18675
Nikon AF 24-50mm f/3.3-4.5 D (*1)	18453	18453	18480	18453	18484	(Z)18673
Nikon AF-S 24-70mm f/2.8 G	18454	18454	18480	NR		(Z) 18722
Sigma 14mm F2.8 EX ASPHERICAL HSM	18462	18462	18480	NR		(F)18697
Sigma 15mm F2.8 FISHEYE	Not needed	Not needed	18480	Not needed	18484	(F)18715
NR = This lens not recommended for use with this port						
(*1) +3 diopter needed for 8" dome port & a +4 diopter needed for 6" dome port, (*2) Older pre 2008 port may not fit due to the oversized nature of this lens.						
Macro lenses	Port 18428 Auto Focus only		Port 18426 Auto & manual focus		For use with port 18426 only	
Nikon AF Micro 60mm F2.8 (*3)	Not needed		Not needed		(F)18670/(*)18682	
Nikon AF-S Micro 60mm f/2.8G ED NEW	Not needed		Not needed		(F) 18722	
Nikon AF Micro 105mm F2.8 (*4)	18453		18453		(F)18679/(*)18683	
Nikon AF-S Micro 105MM f/2.8 G ED-IF VR, NEW	18453		18453		(F)18712.1	
Nikon AF Micro 200mm F/4 D	18454		18454		(F)18656	
Nikon AF Micro 70-180 mm f/4.5-5. 6D ED	18454		18454		(F)18691/(Z)18692	
Sigma 50mm F2.8 EX MACRO	Not needed		Not needed		(F)18701	
(*3) Auto/manual focus selector available 18682, (*4) Auto/manual focus selector available 18683						

Lens dimension template

Maker _____

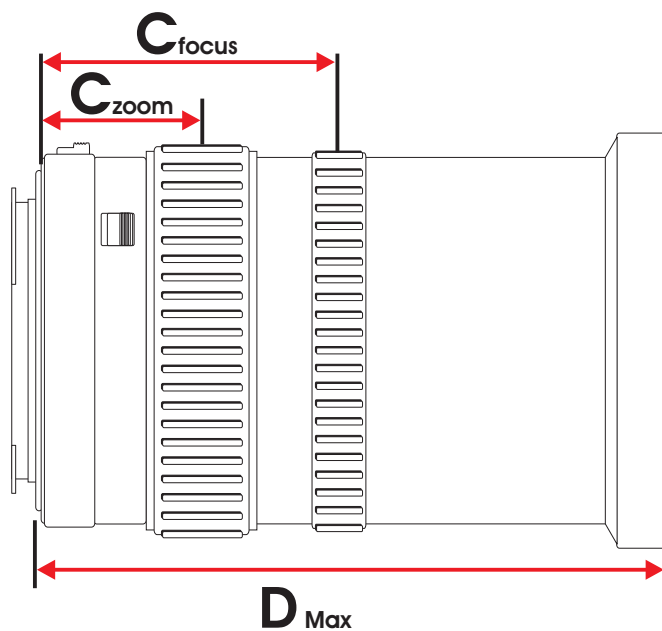
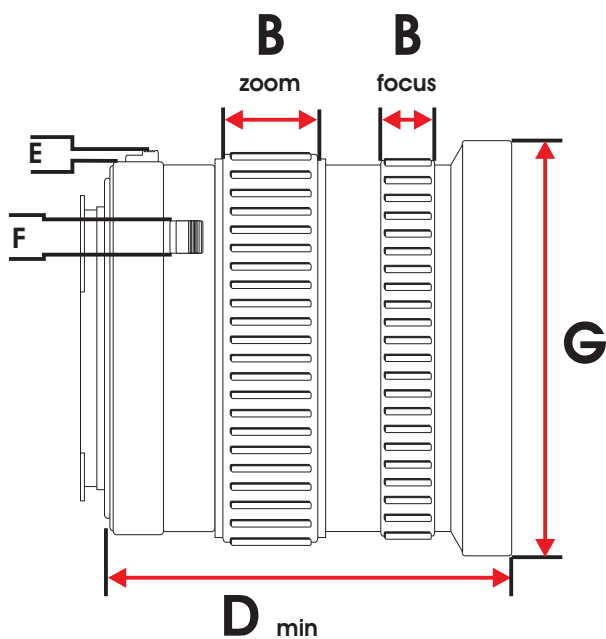
Model _____



Nikon

Canon

	Nikon	Canon
A		
B zoom		
B focus		
C zoom		
C focus		
D min		
D max		
E		
F		
G		



EXTENSION RING MEASURE

The extension ring are cataloged with the overall length, in some case it is useful to know the actual length from sealing to sealing surface (B).

If you wish to know the (B) thickness of an extension ring, subtract measurement (A) which is 1/2" or 12.5 mm from overall measurement of cataloged length, or you can refer to the table below.

B= actual extension thickness

18453	=	28.5 mm	/	1.12"
18454	=	97.5 mm	/	3.82"
18456	=	16.5 mm	/	0.65"
18457	=	54.5 mm	/	2.135"
18458	=	63.5 mm	/	2.50"
18462	=	39.5 mm	/	1.56"
18463	=	21.5 mm	/	0.82"

Overall thickness

18453	=	41 mm	/	1.617"
18454	=	110 mm	/	4.324"
18456	=	29 mm	/	1.15"
18457	=	67 mm	/	2.635"
18458	=	76 mm	/	3.00"
18462	=	52 mm	/	2.06"
18463	=	34 mm	/	1.32"

Bayonet thickness

A= 12.5 mm / .5"

